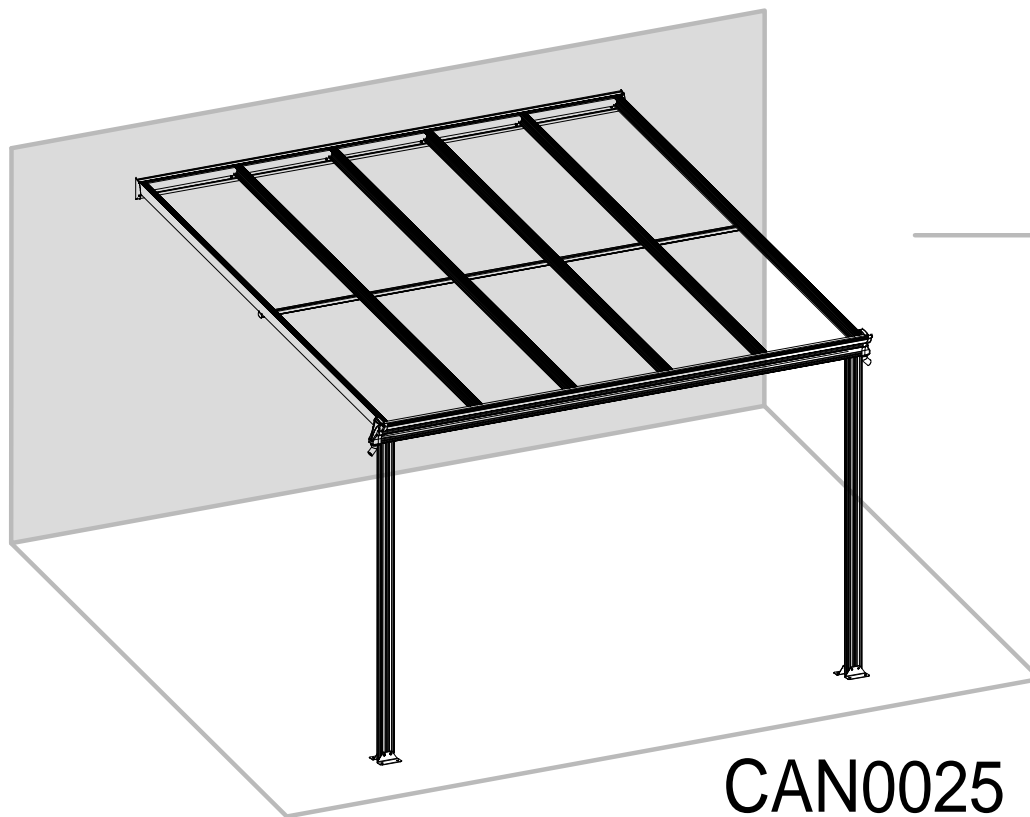


# Veranda - Garden Canopy Assembly Manual

---

size:312Lx300Wx192/258Hcm



CAN0025

## IMPORTANT

You must read these instructions carefully before you start to assemble this veranda. Please ensure that all parts are present in the carton box and that it is the correct type and quantity as mentioned in the list and illustrated in every page accordingly. Please carry out the steps in the order set out in these instructions. Do not fully tighten fixings in the Veranda - Garden Canopy until completing the assembly of the polycarbonate panels. Keep this instruction booklet in a safe place for future reference.

## SAFETY ADVICE

- We strongly recommend the use of work gloves during assembly.
- Always wear shoes and safety goggles when working with extruded aluminium.
- Dispose of all packaging materials and plastic bags safely - keep out of reach of children and babies to avoid risk of suffocation.
- Keep children away from the assembly area.
- The Veranda - Garden Canopy must be positioned and fixed on a flat level surface.
- Do not attempt to assemble the Veranda - Garden Canopy in windy or wet conditions.
- Do not position your Veranda - Garden Canopy in an area exposed to excessive wind
- Do not touch overhead power cables with the aluminium profiles.
- Ensure there are no hidden pipes or cables in the ground before inserting the pegs.
- Do not lean against or push the Veranda - Garden Canopy during construction.
- Do not attempt to assemble this Veranda - Garden Canopy if you are under the influence of drugs or alcohol, tired or if you are prone to dizzy spells.
- When using a step ladder or power tools, ensure that you follow the manufacturer's safety advice.
- Hot items such as recently used grills, blowtorches, etc must not be stored in the Veranda - Garden Canopy.

## GENERAL ADVICE

- This is a multi-part assembly; Allow at least 200 minutes for assembly.
- When selecting an assembly site, choose a sunny and level position away from overhanging trees.
- Surface of the assembly site needs to be level.
- If you are fixing your Veranda - Garden Canopy directly to a solid concrete foundation, use the pre-drilled holes in the metal base supplied.
- All component parts should be checked and laid out close at hand.
- Keep all small parts (screws, fixings etc) in a bowl so they do not get lost.

## CARE & MAINTENANCE

- When cleaning your Veranda - Garden Canopy, use soft cloth or sponge and mild household detergent solution. Rinse with lukewarm or cold clean water.
- Do NOT use acetone, abrasive cleaners or other special detergents to clean the clear panels.
- Do NOT scrub with brushes or abrasive materials as it can cause damage to the surface.
- Keep roof clear of snow and leaves.

## Tools & Equipment Required

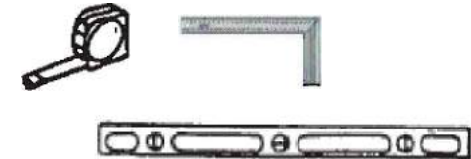
### Protective Equipment

- 1.Helmet
- 2.Glove
- 3.Long Sleeve Cotton Overalls
- 4.Emergency First Aid
- 5.Eye Shield



### Measure(metric):

- 1.The Tape(5 m)
- 2.Angle Square
- 3.Level Meter



### Installation Tool:

- 1.Triangle Stairs ≈ 1.5m Height
- 2.Spanner 10mm(Ratchet Wrench is better)
- 3.Spanner 14mm(Install the expansion screw)
- 4.Hexagon wrench 5mm
- 5.Electric screwdriver+5mm Hexagon wrench(suggest)
- 6.Wooden Mallet
- 7.Marking Pen
- 8.Silicon
- 9.Percussion bit(8mm and 10mm)
- 10.Knife
- 11.Phillips screwdriver

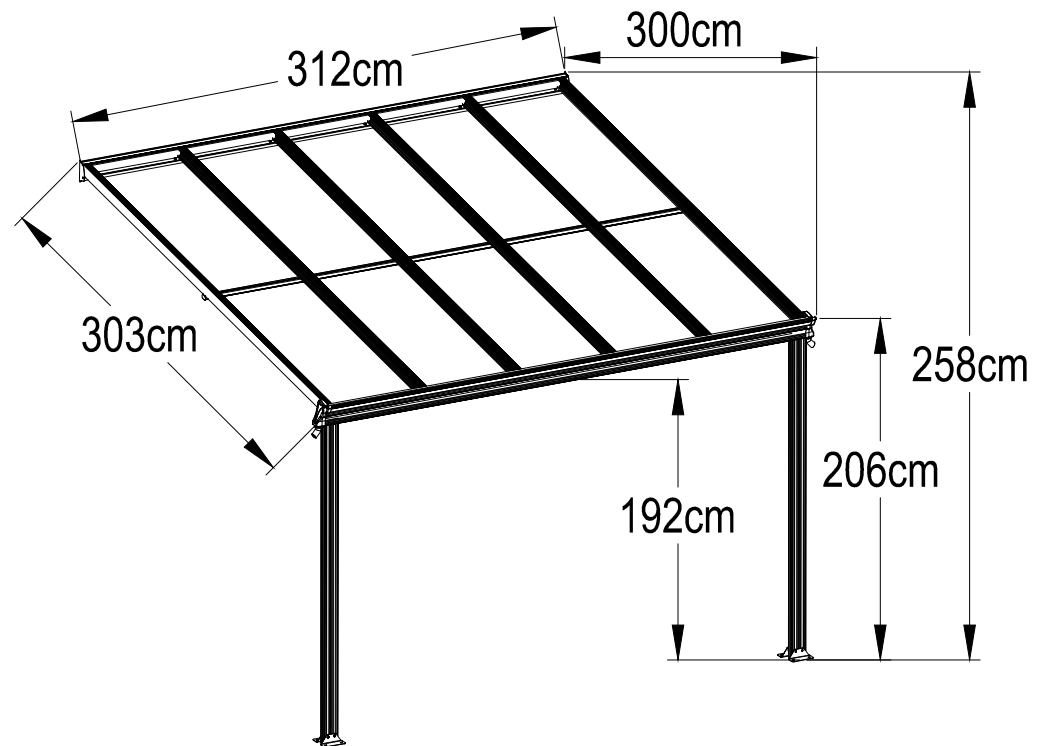


## PRODUCT SIZE

- **Make sure to choose a suitable location to install the Veranda - Garden Canopy**

## OTHER CAUTIONS

- 3 People required: One for measuring and taking marks to ensure the installation dimensions, the second person is responsible for the installation and the third should assist and assure safety.
- Firstly, make sure the wall is strong enough for installation. A brick concrete structure is the best choice.
- High power electric tools are required. Please ensure that it is fully functioning and follow the manufacturer's safety guidelines thoroughly.
- Be careful when using blunt tool such as hammers.
- Wear long sleeve cotton overalls, gloves and helmet during installation and always wear safety goggles when using power tools.
- Do NOT look up above chin height when working under Veranda - Garden Canopy as loose screws may drop and cause damage to eyes or lead to suffocation if it falls into mouth.
- Do NOT climb onto the frame of the Veranda - Garden Canopy or stand on its roof.
- If you sustain any injuries use a first-aid kit to stop bleeding.
- In case of serious injuries, please call the emergency services or travel to your nearest medical center immediately.



# PARTS LIST

SKELETON		
NO.	Qty.	
1	6	2968mm
2	2	2968mm
3	1	3091mm
4	1	3121mm
5	2	80mm
6	4	120mm
7	1	3121mm
8	1	3121mm
9	1	3121mm
10	1	3121mm
11	1	3091mm
12	2	1950mm

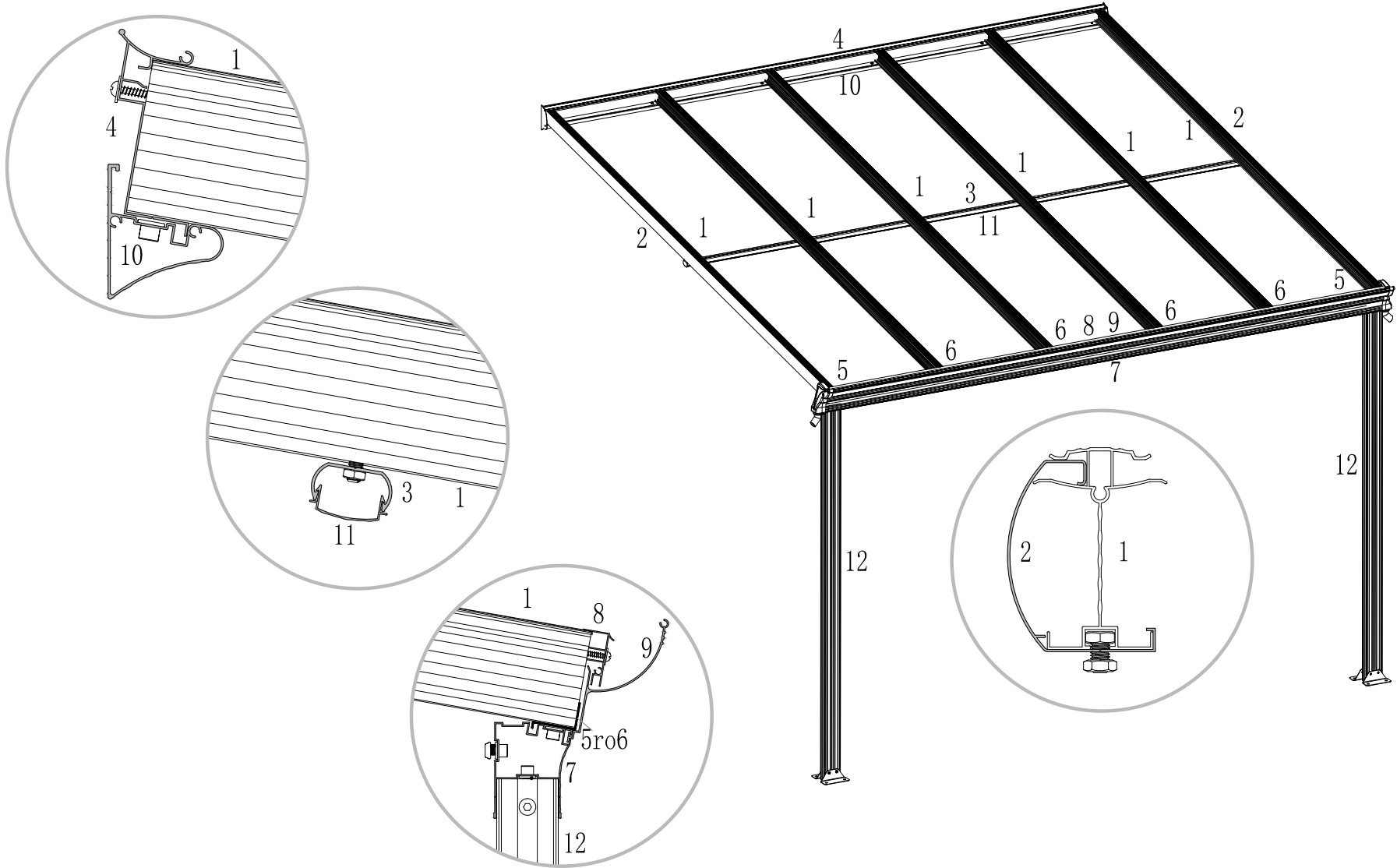
NO.	Qty.	CONNECT
B1	4	
B2	2	
B4	2	
B5L	1	
B5R	1	
B7	2	

NO.	Qty.	SCREW
F1	16	5-40mm
F2	14	6-12mm
F3	4	5-13mm
F4	46	6-10mm
F4-1	18	6mm
F4-2	4	6mm
F5	6	4-35mm
F6	8	6-60mm
F8	6	6-10mm

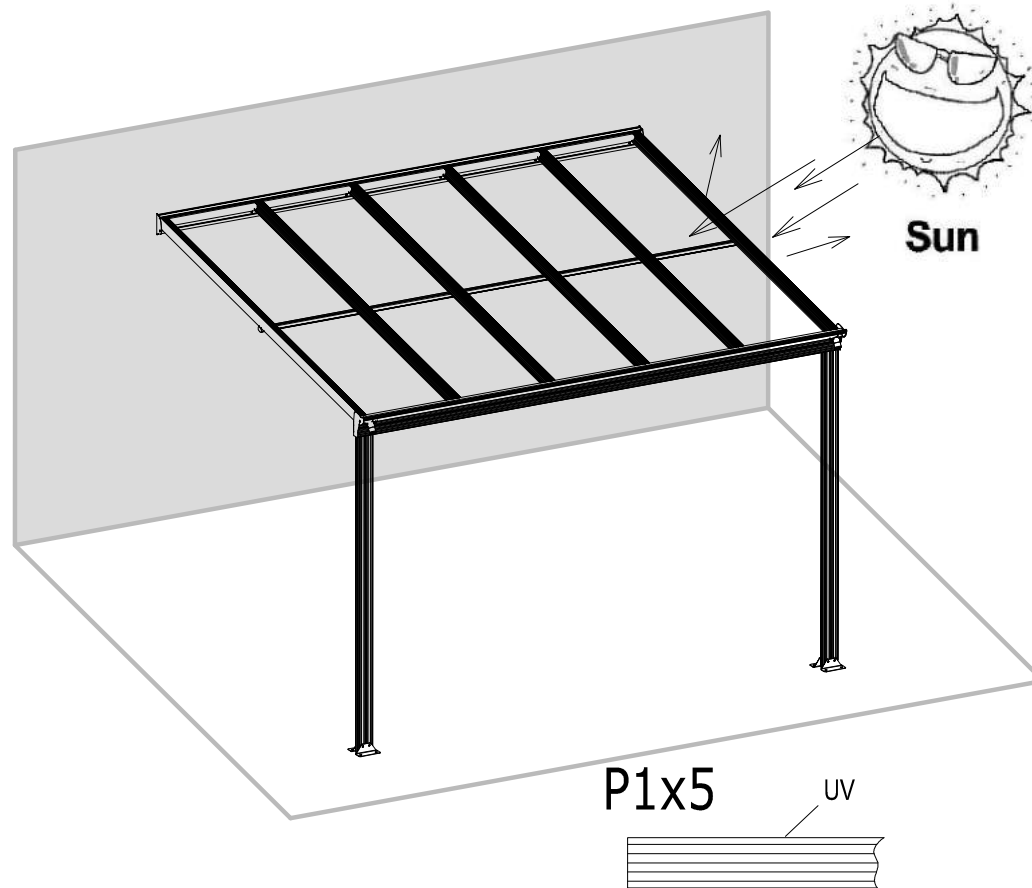
- S8 x8
- S9 x2
- S7 x2

P1 x5

# Installation Diagram of Aluminium Frames



## Summary Statement for Polycarbonate Panel



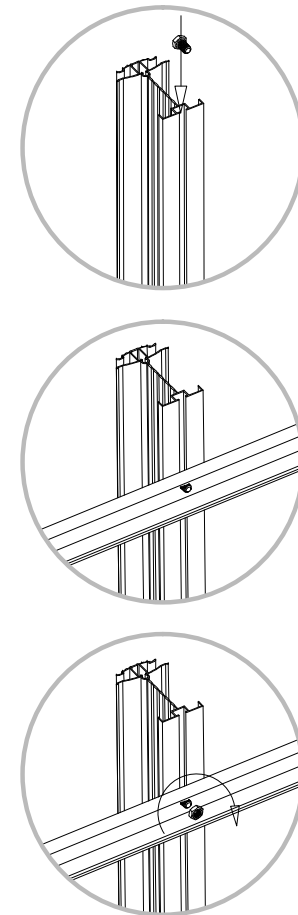
- Ensure the white film side is facing towards the sun as it is UV protected.

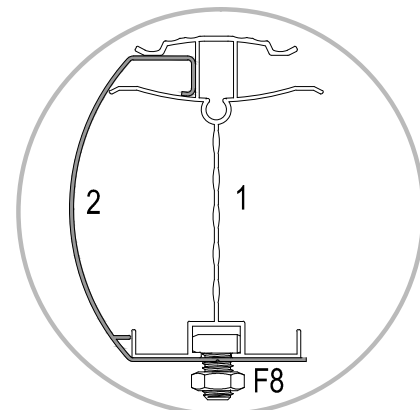
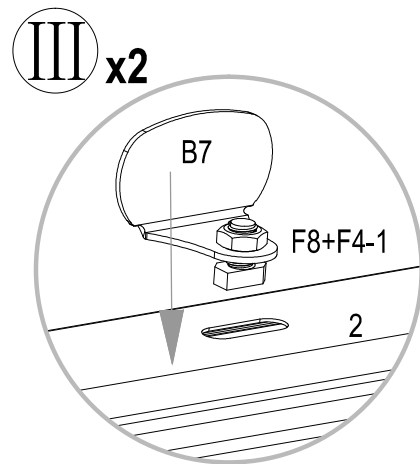
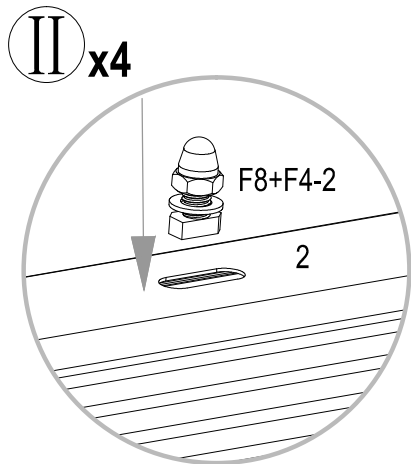
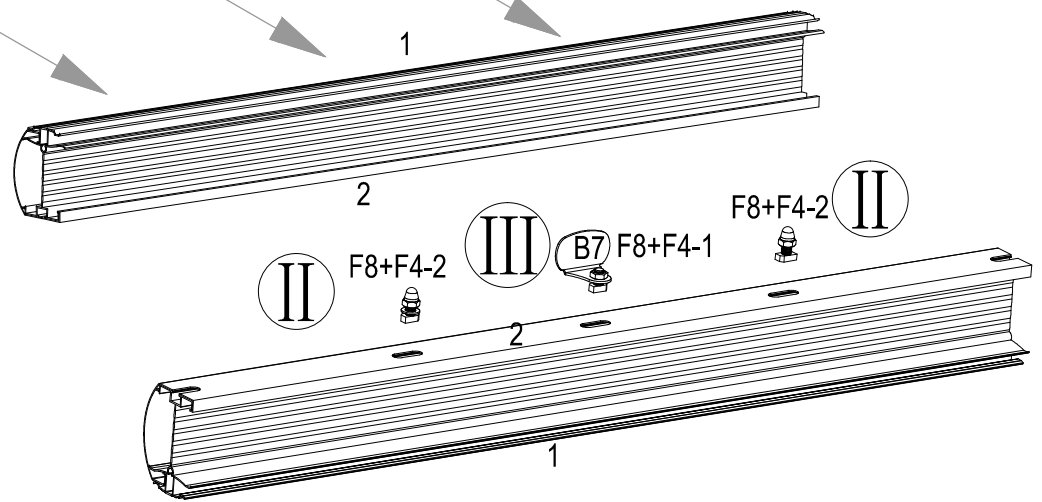
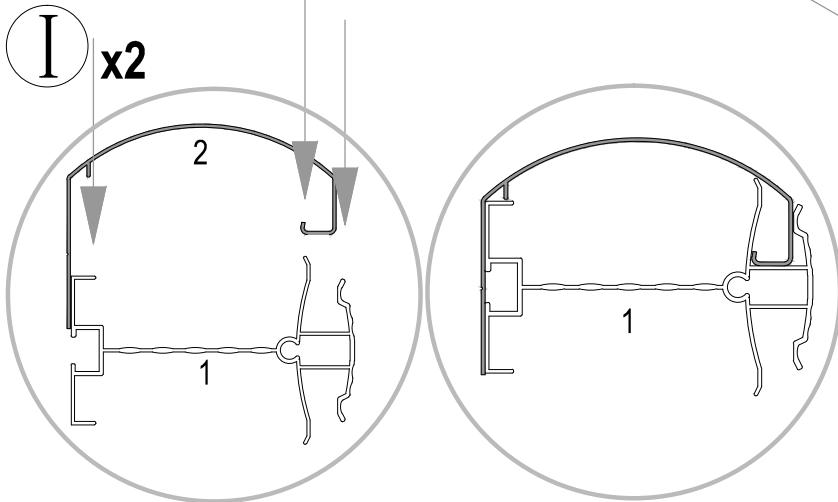
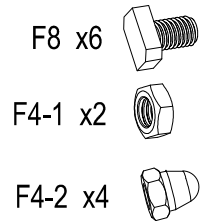
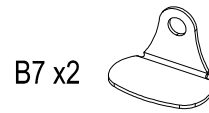
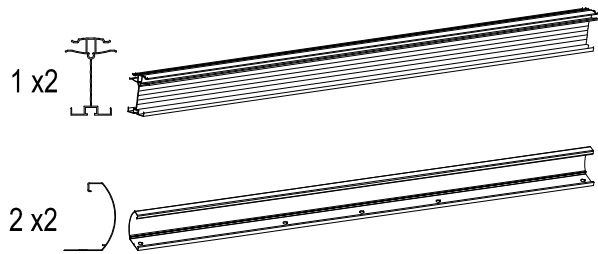
## "hexagonal screw" installation

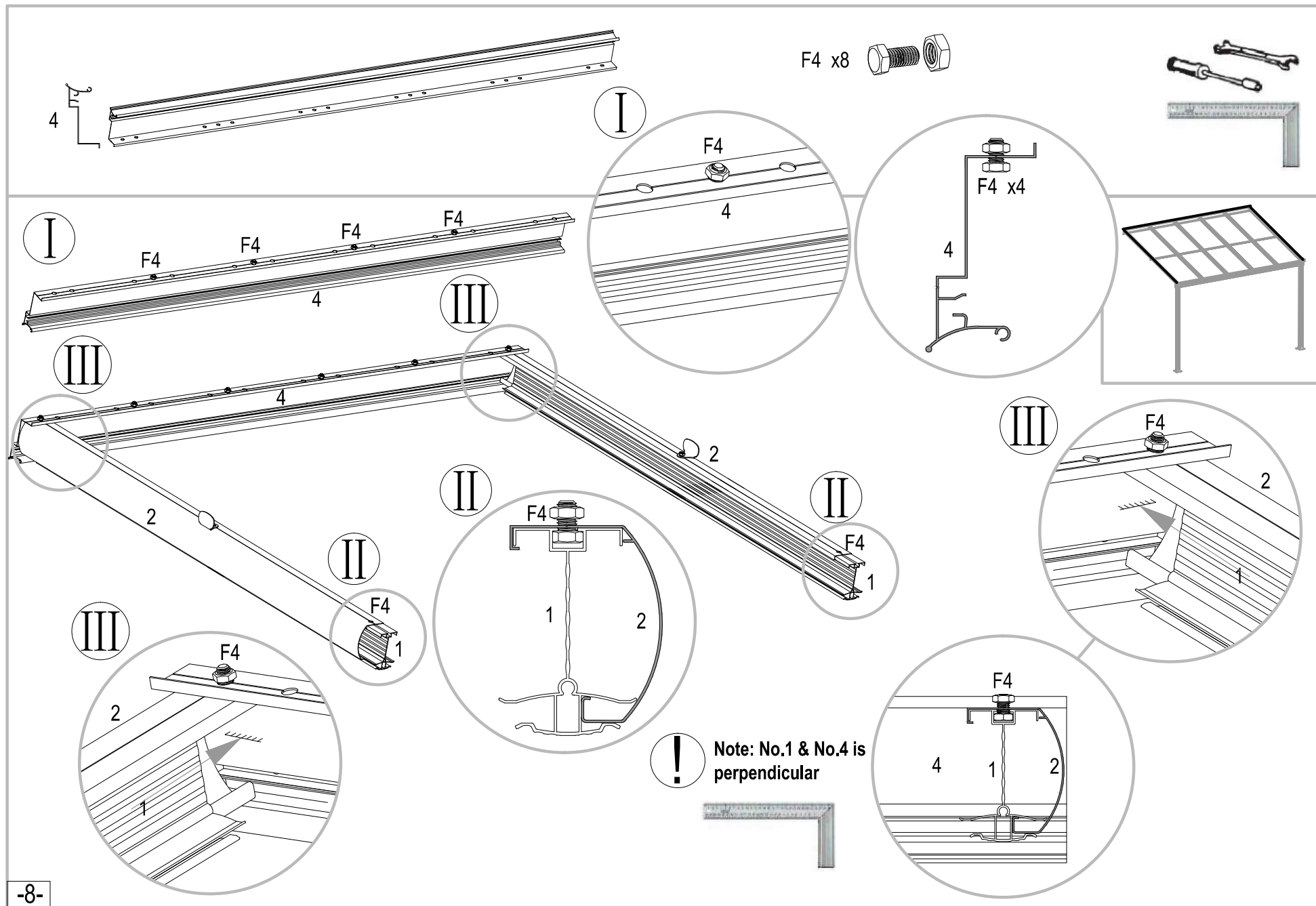
Place the "hexagonal screw" into the groove, turn clockwise until it stops turning.

Adjust the "hexagonal screw" by hand and twist so threads fix it in place.

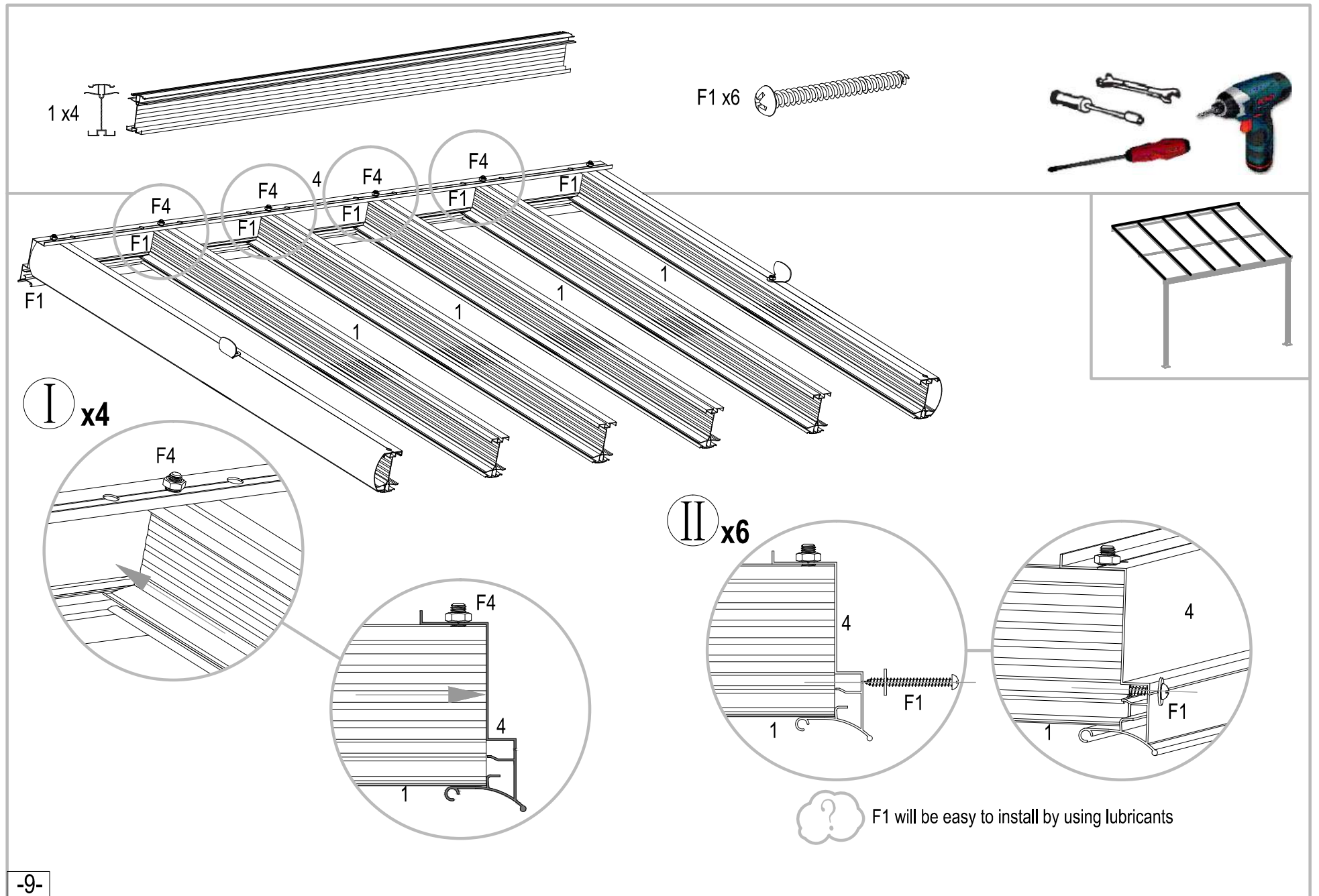
Place other parts on "hexagonal screw" and assemble nut .

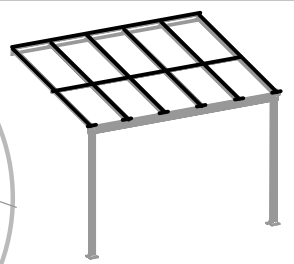
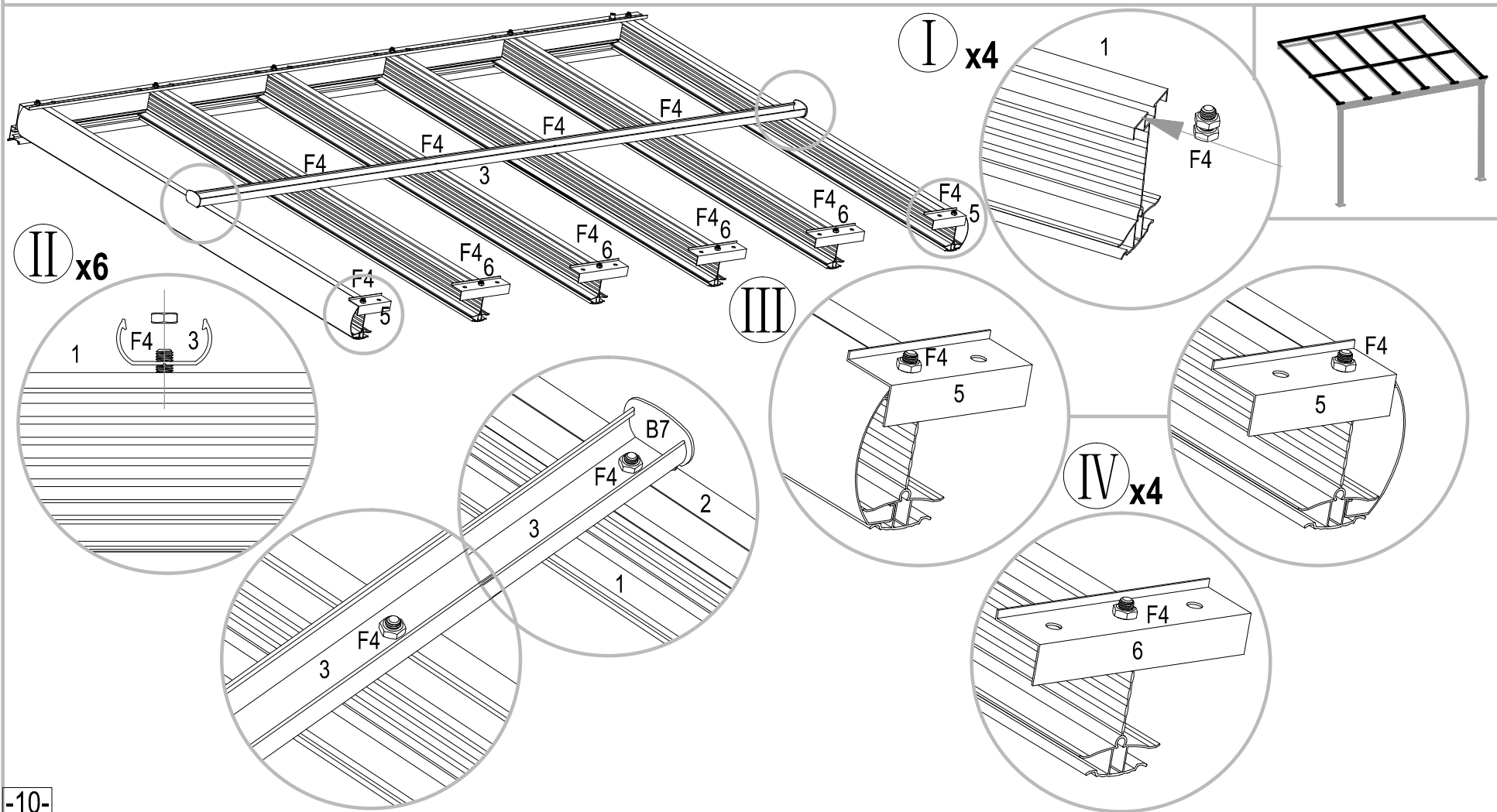
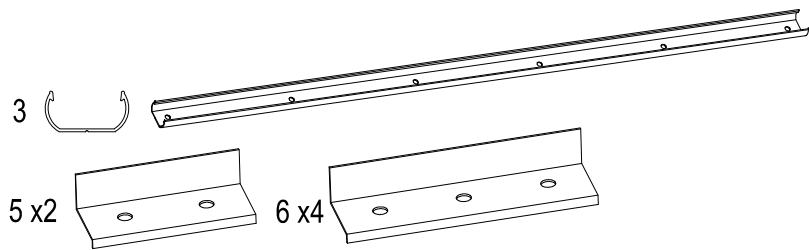


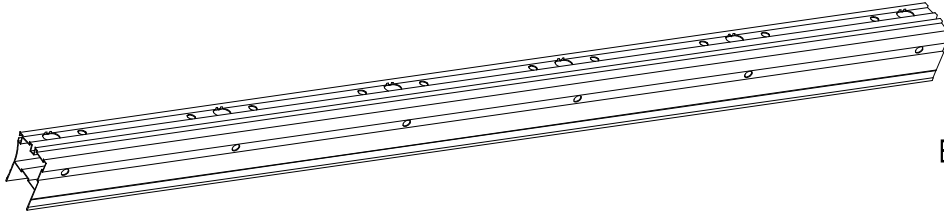
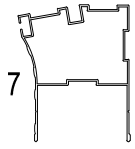




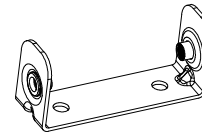




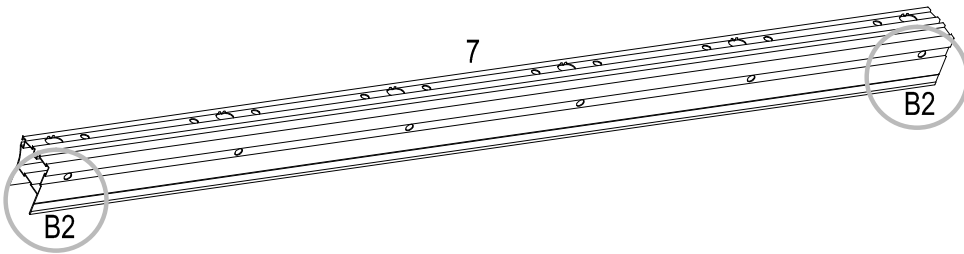




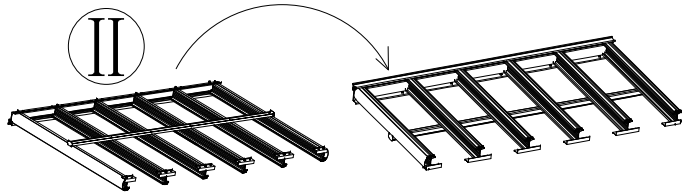
B2 x2



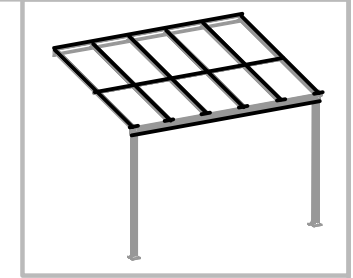
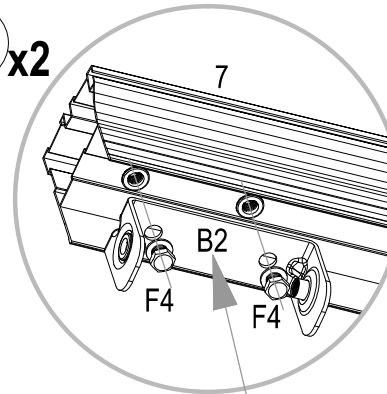
F4 x14



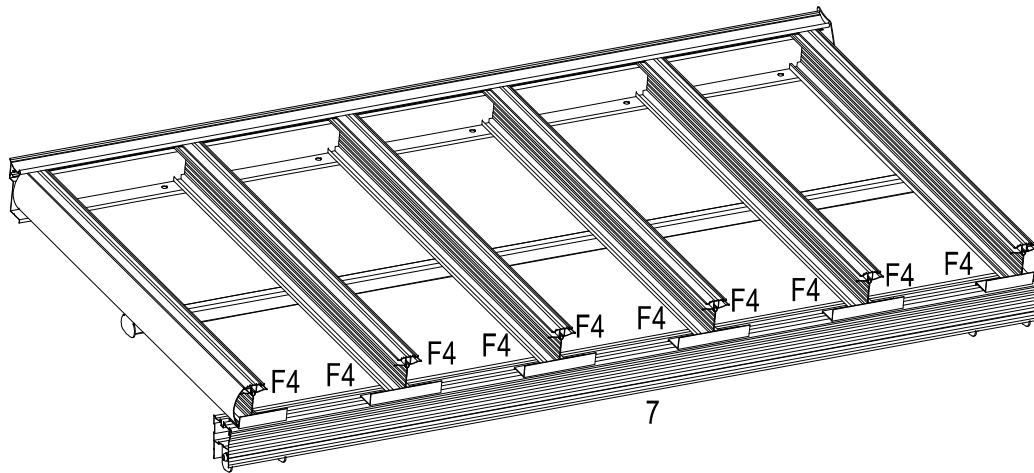
II



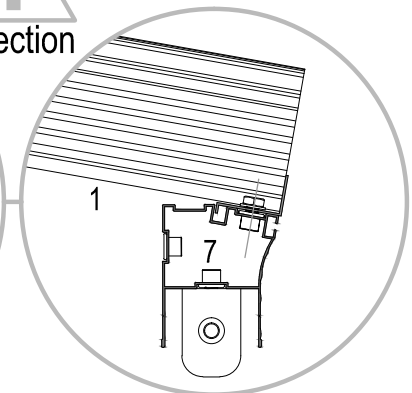
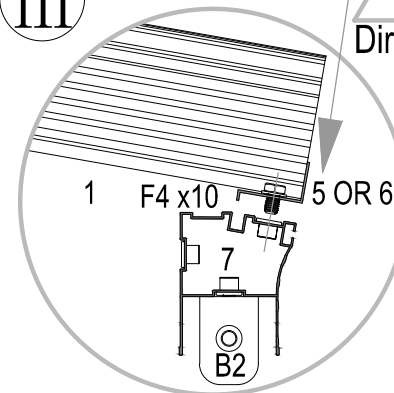
I x2



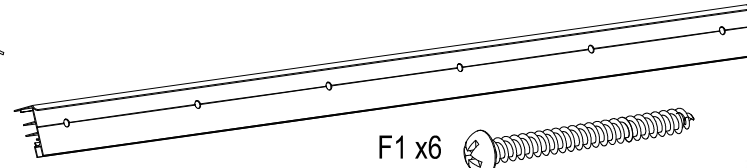
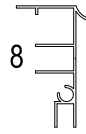
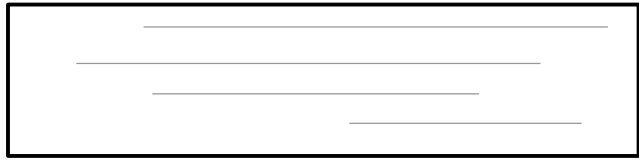
III



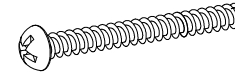
Direction



P1 x5

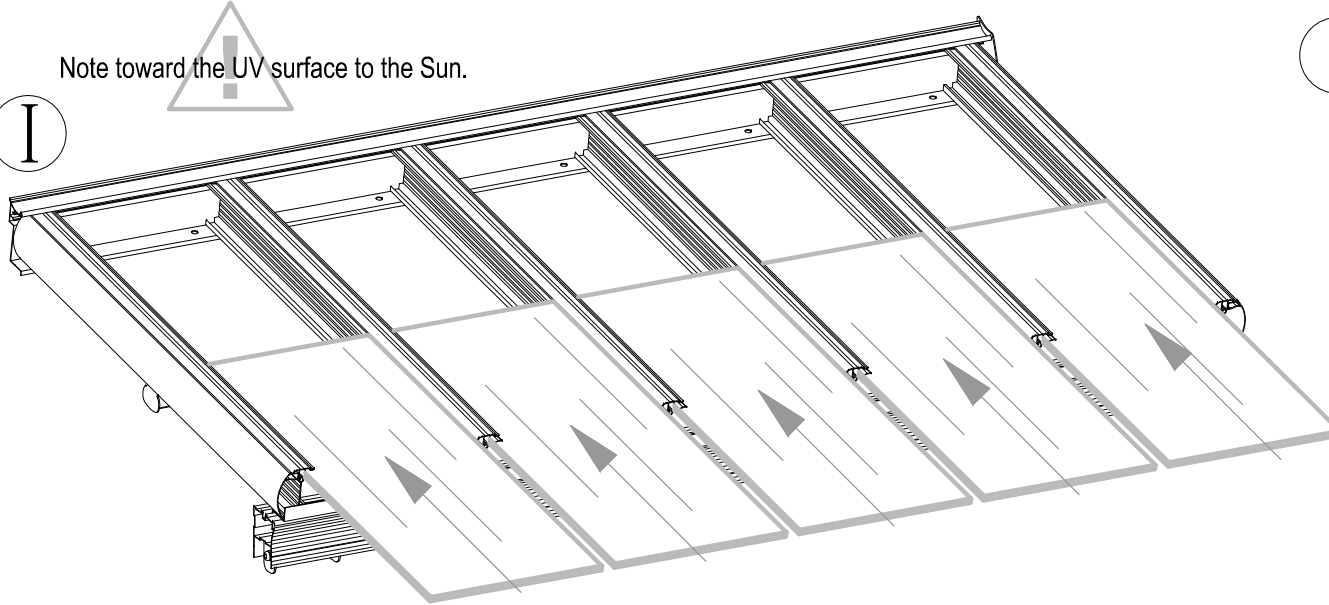


F1 x6

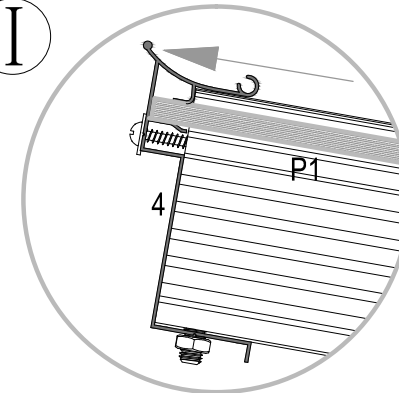


Note toward the UV surface to the Sun.

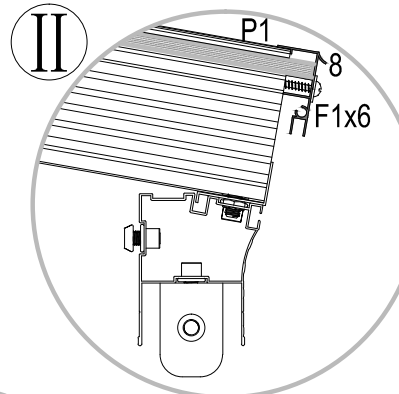
I



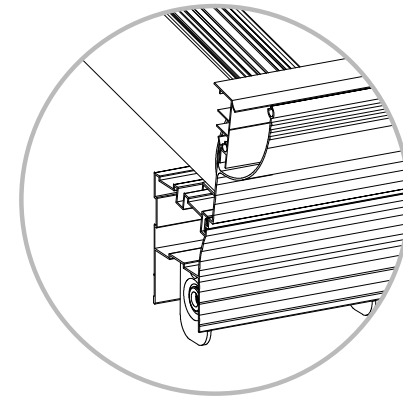
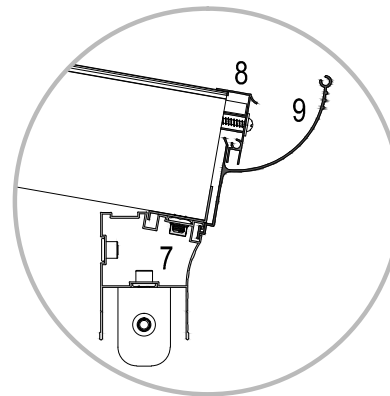
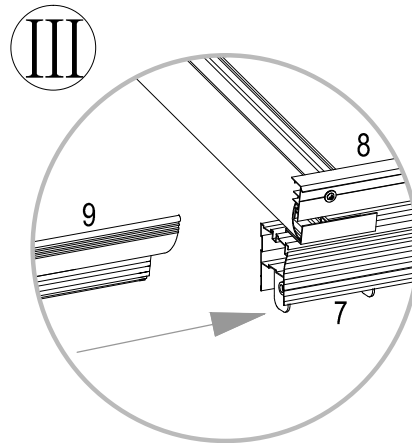
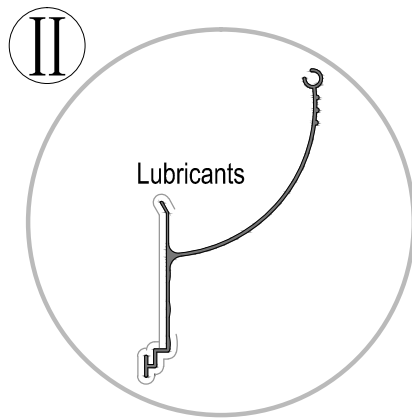
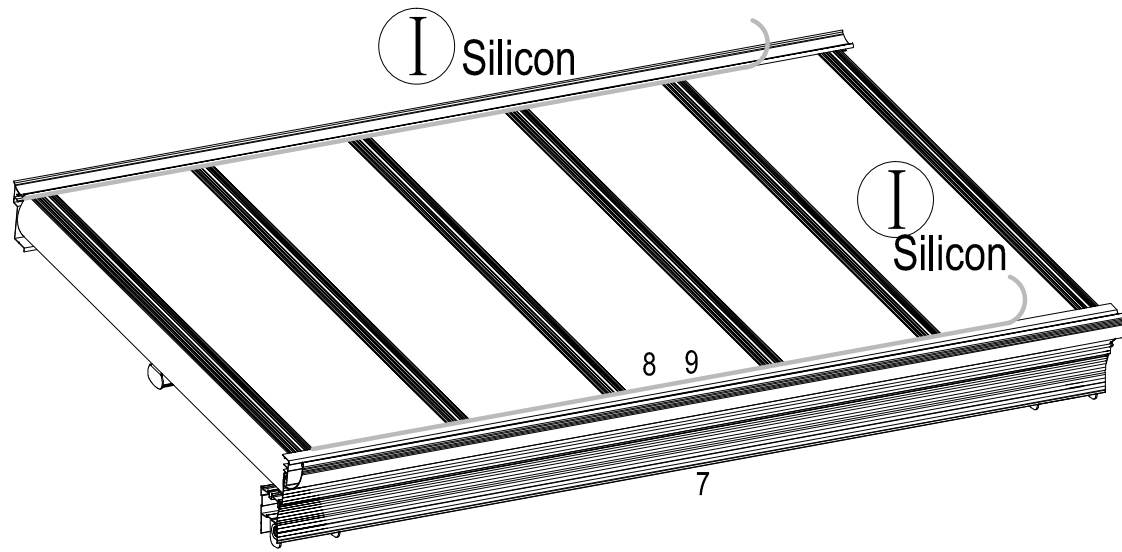
I



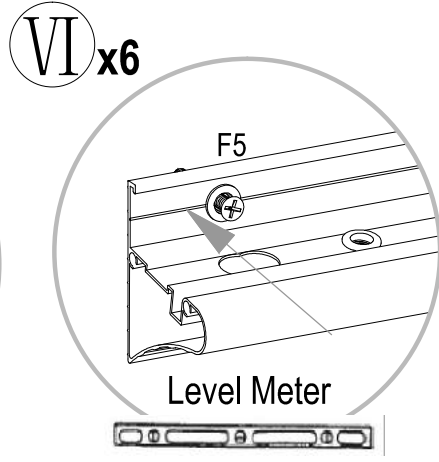
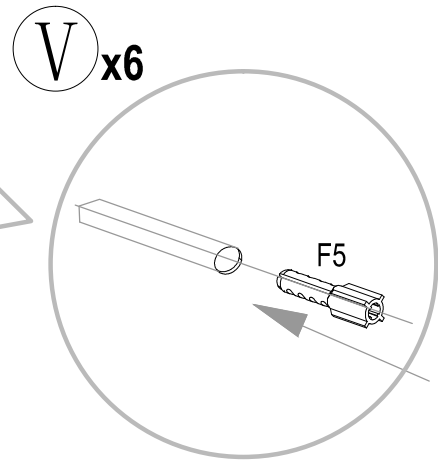
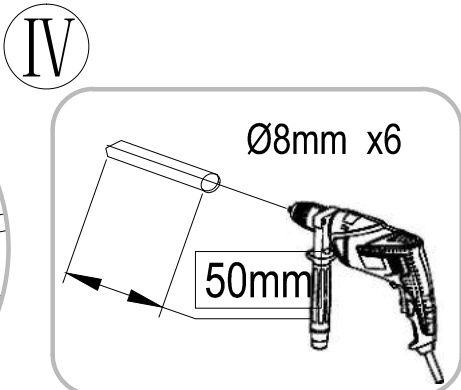
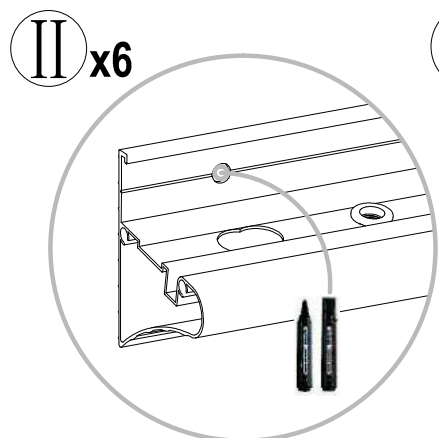
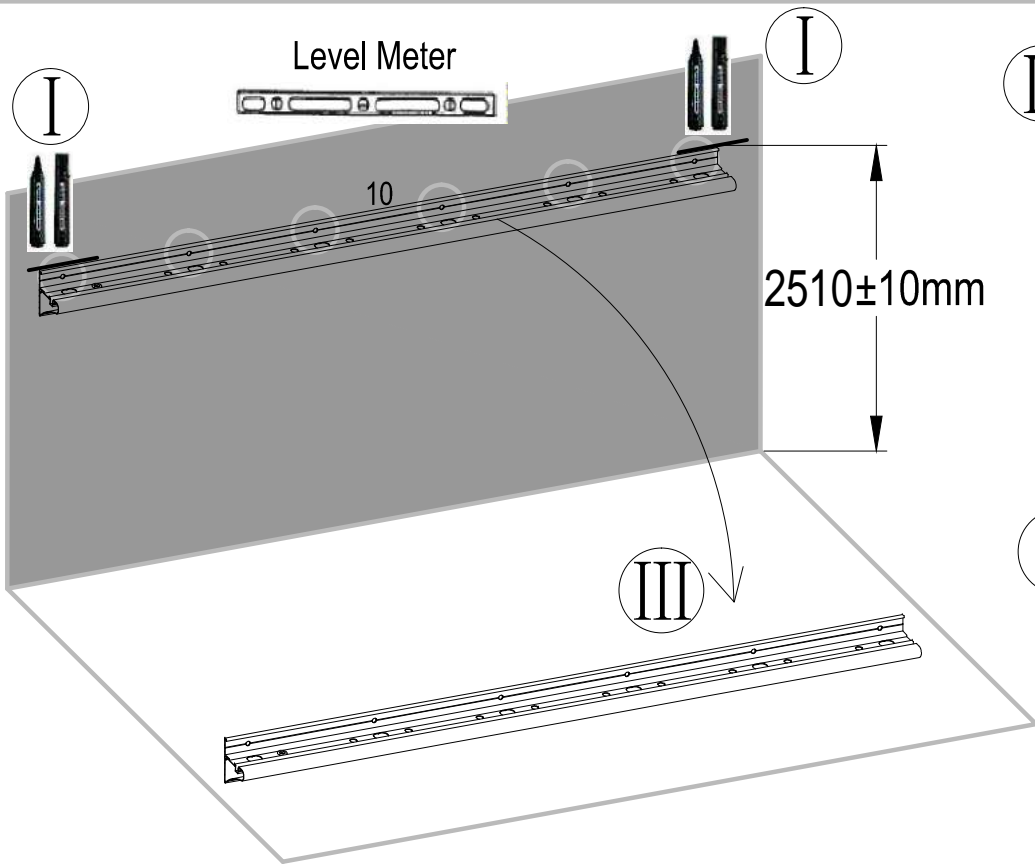
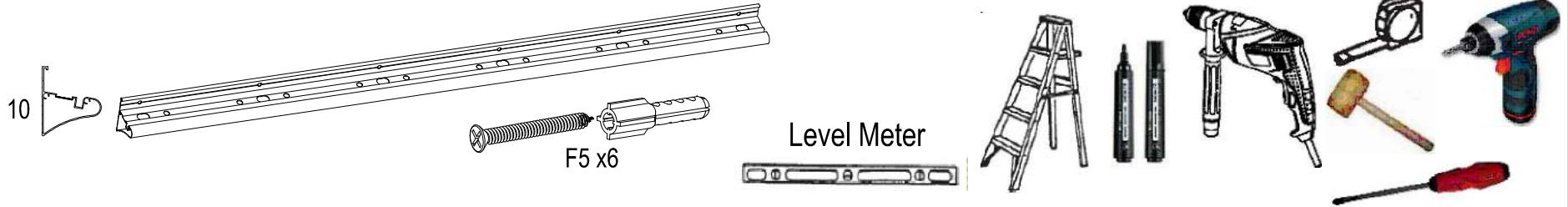
II

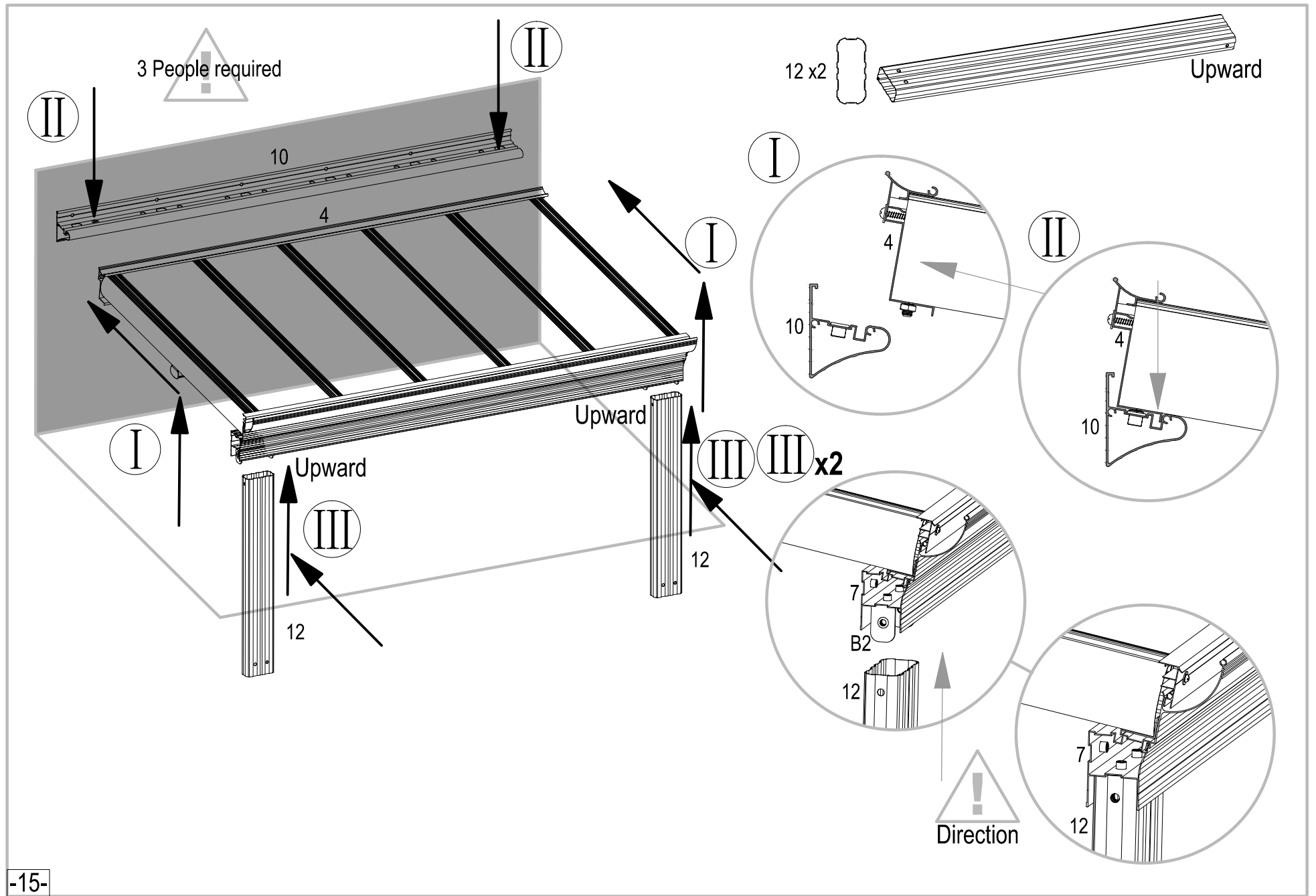


F1 will be easy to install by using lubricants



? 9 will be easy to install by using lubricants

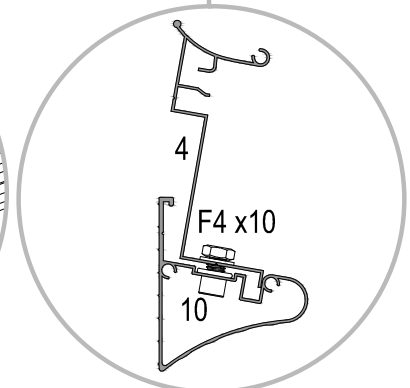
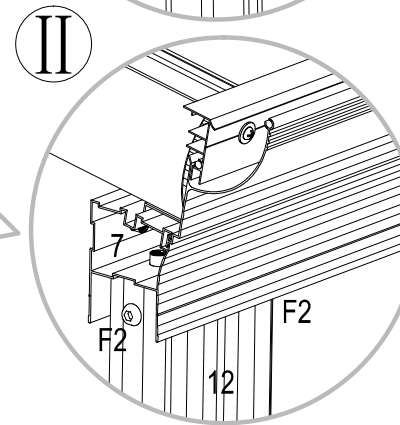
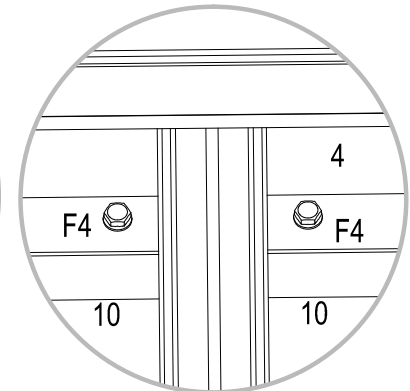
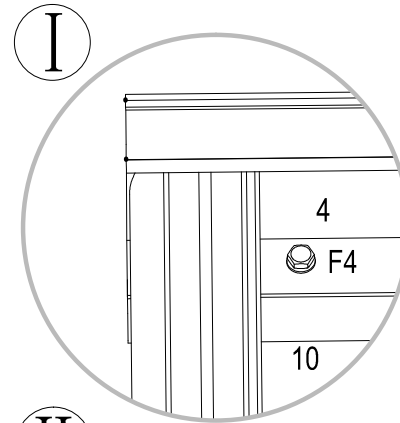
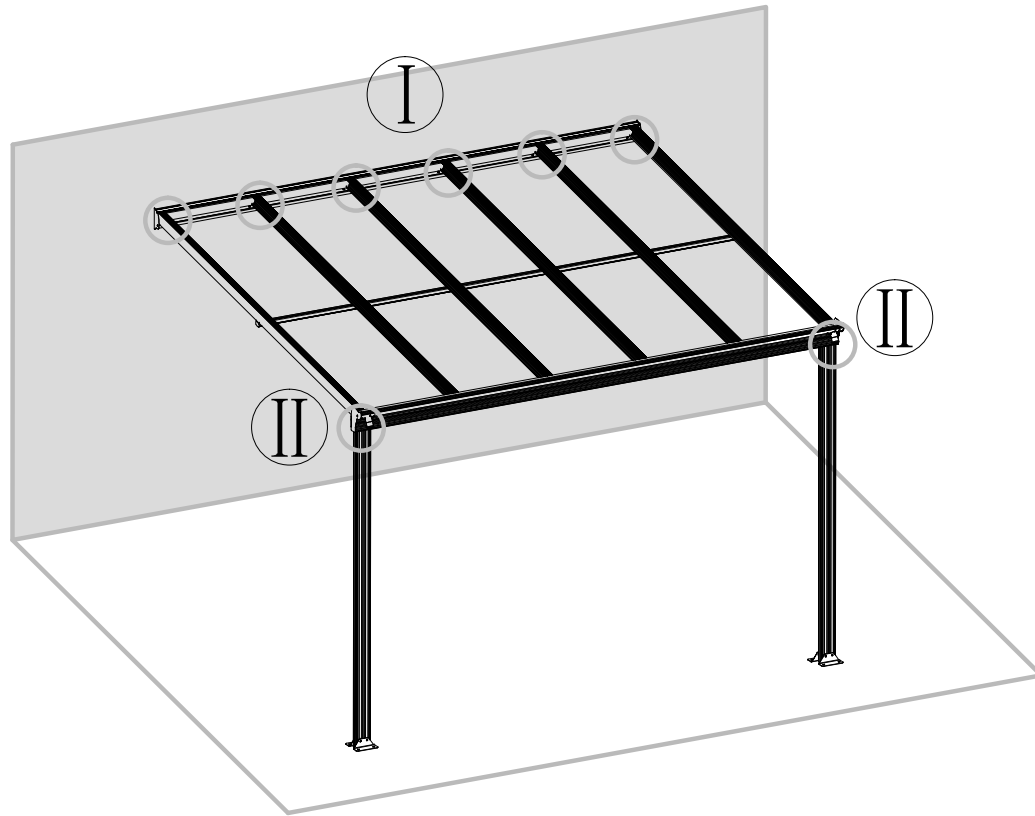




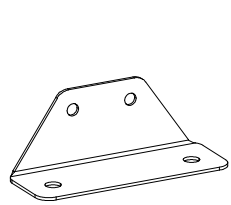
F4 x10



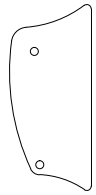
F2 x4



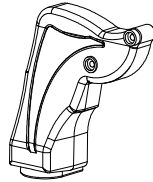




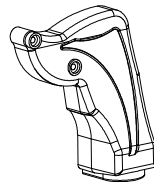
B1 x4



B4 x2



B5L



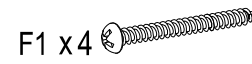
B5R



S9 x2



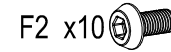
S7 x2



F1 x4



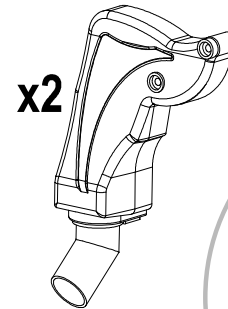
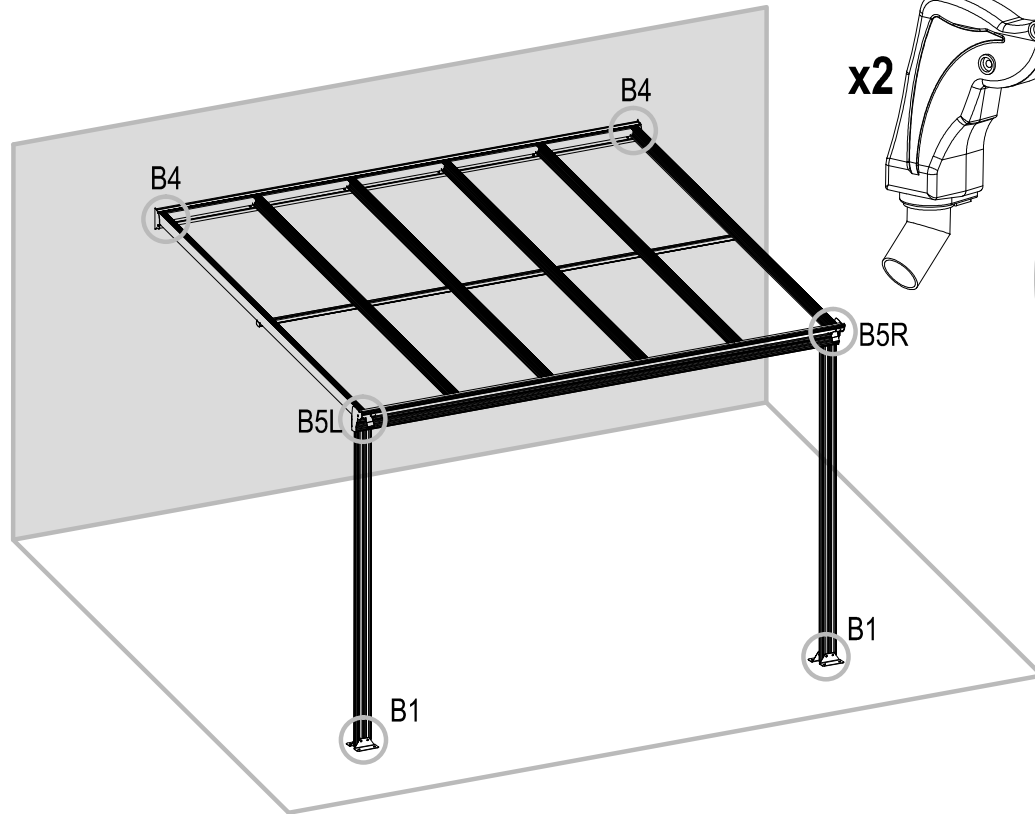
F3 x4



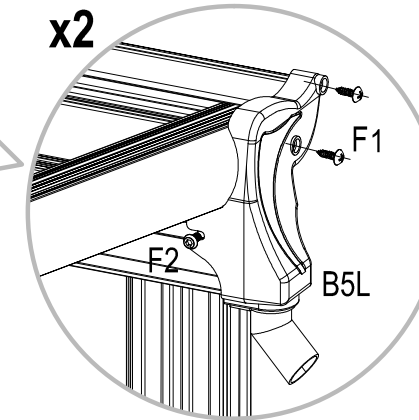
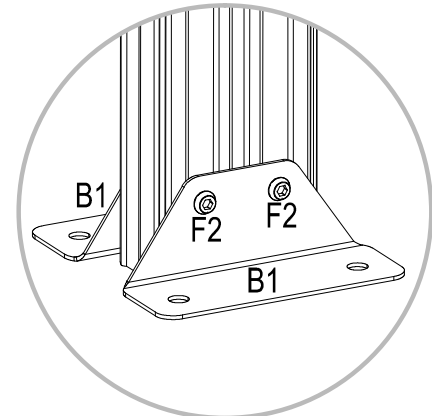
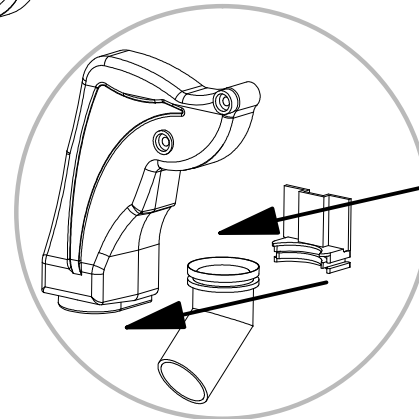
F2 x10



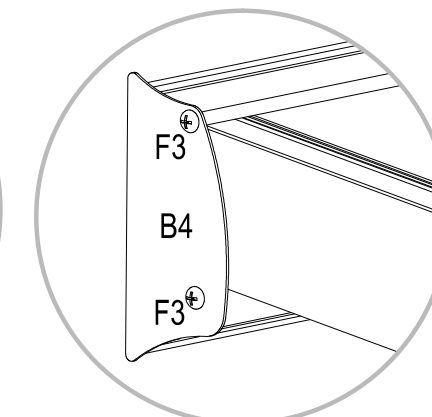
Silicone

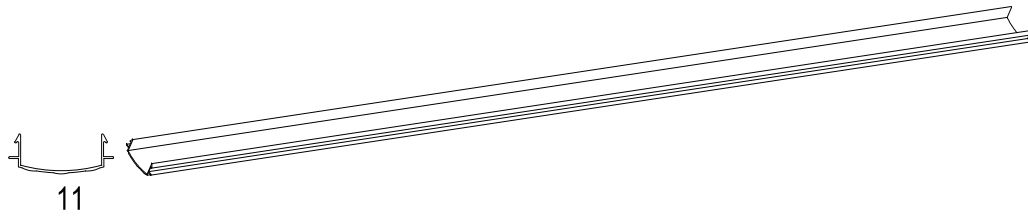


x2

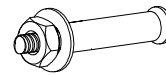


x2

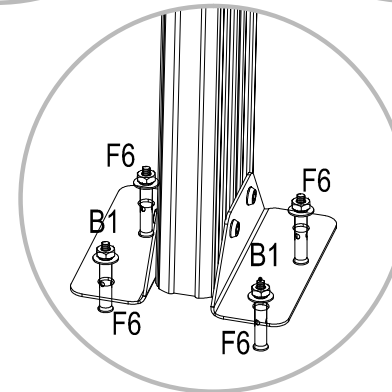
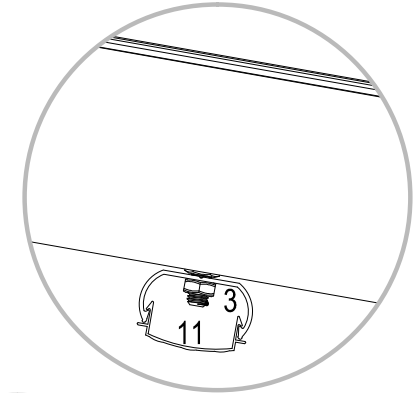
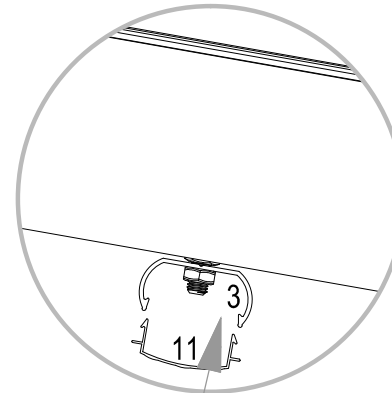
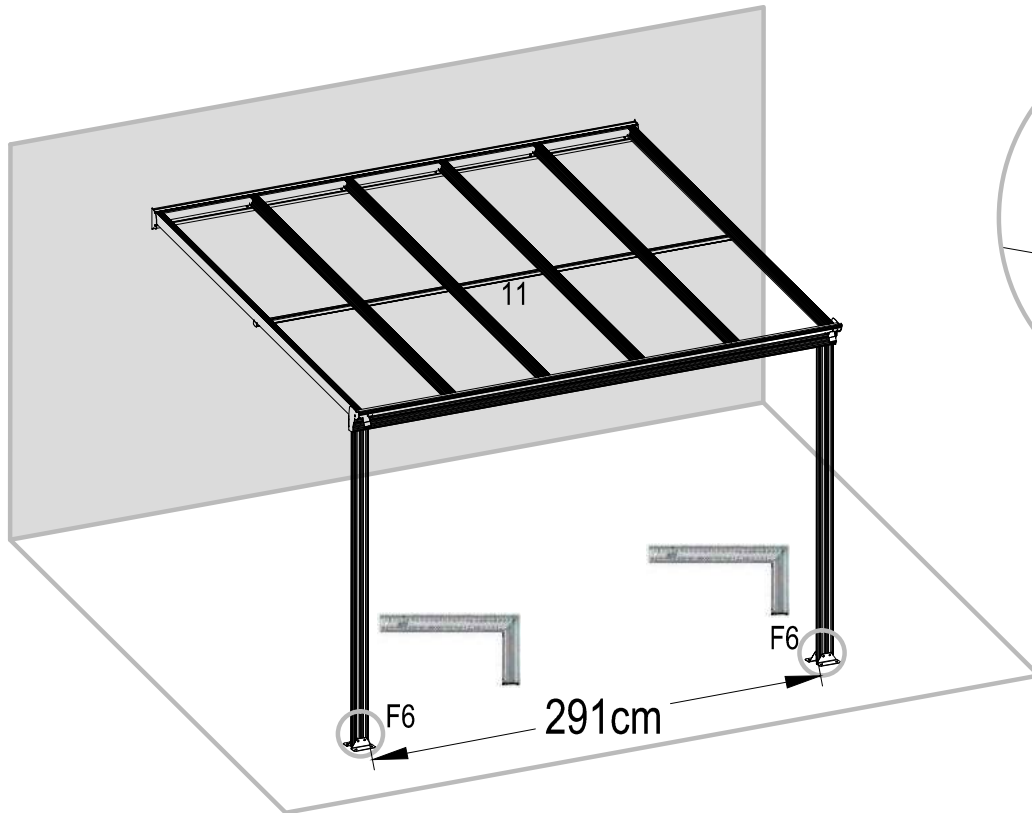
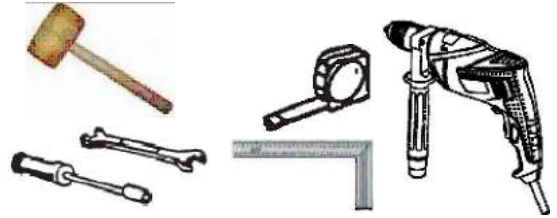




F6 x8



S8 x8



Cover all F6, tapping it with wooden hammer ensure it will not fall off.

Silicone should be added to frame to help seal the panels in.



Silicone

